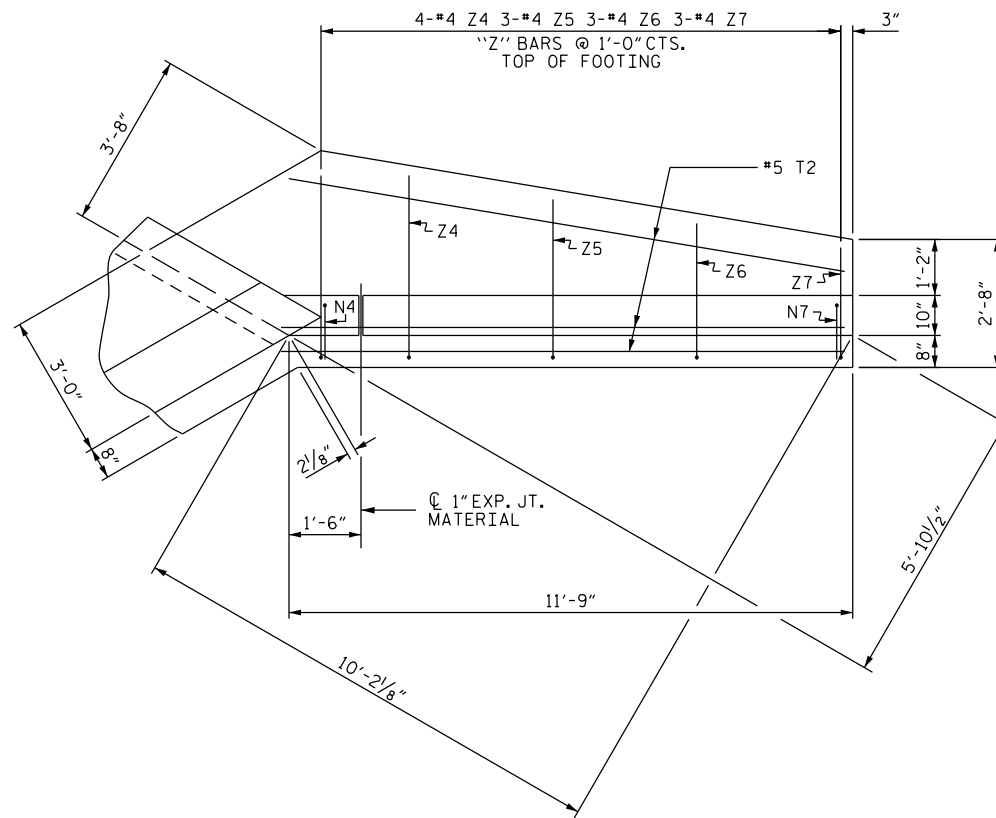
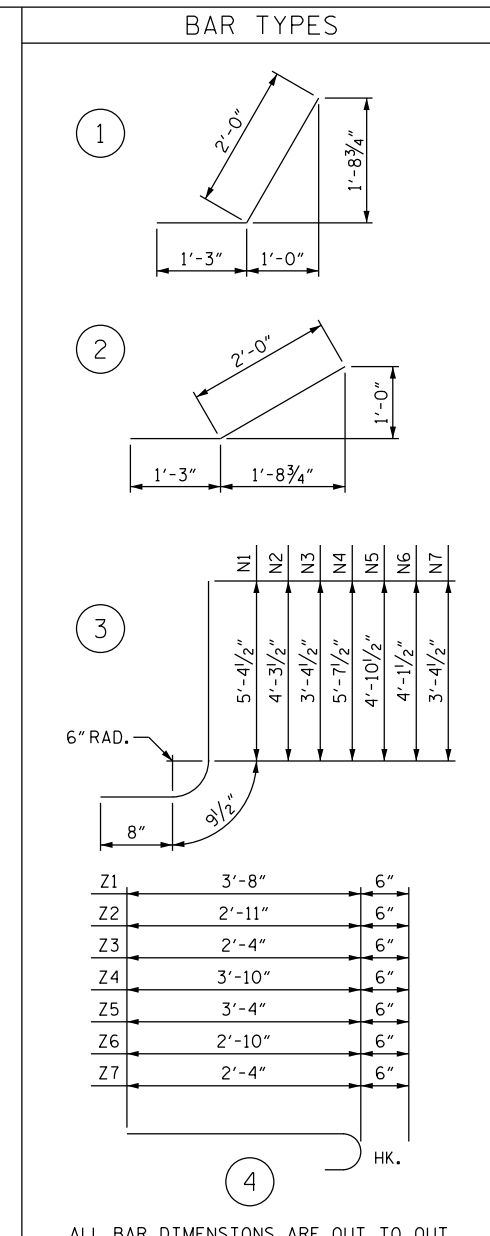


PLAN W2



PLAN W1



ALL BAR DIMENSIONS ARE OUT TO OUT.

BILL OF MATERIAL					
BAR	NO.	SIZE	TYPE	LENGTH	WEIGHT
H1	12	#4	STR	4'-10"	39
H2	4	#4	STR	4'-0"	11
H3	4	#4	STR	1'-9"	5
H4	24	#4	1	3'-3"	52
H5	4	#4	STR	5'-3"	14
H6	12	#4	STR	9'-10"	79
H7	4	#4	STR	8'-4"	22
H8	4	#4	STR	4'-3"	11
H9	24	#4	2	3'-3"	52
H10	4	#4	STR	10'-2"	27

N1	6	#4	3	6'-10"	27
N2	6	#4	3	5'-9"	23
N3	4	#4	3	4'-10"	13
N4	8	#4	3	7'-1"	38
N5	6	#4	3	6'-4"	25
N6	6	#4	3	5'-7"	22
N7	6	#4	3	4'-10"	19

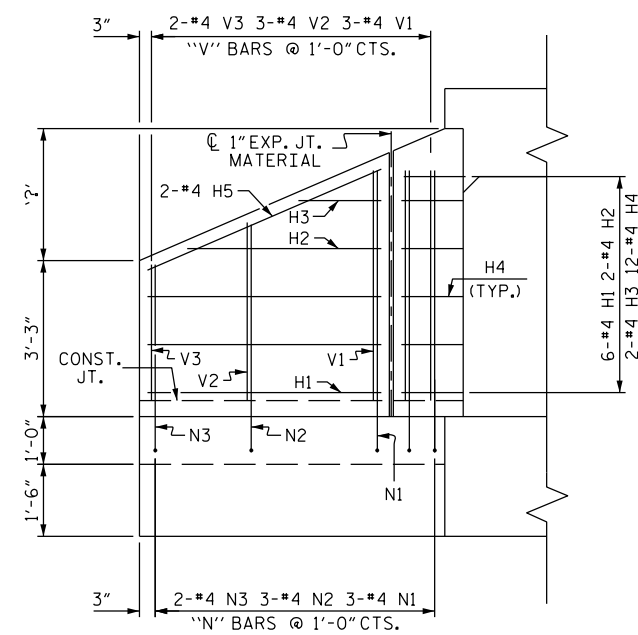
T1	6	#5	STR	6'-9"	42
T2	6	#5	STR	11'-9"	74

V1	6	#4	STR	4'-9"	19
V2	6	#4	STR	3'-8"	15
V3	4	#4	STR	2'-10"	8
V4	8	#4	STR	5'-0"	27
V5	6	#4	STR	4'-3"	17
V6	6	#4	STR	3'-6"	14
V7	6	#4	STR	2'-10"	11

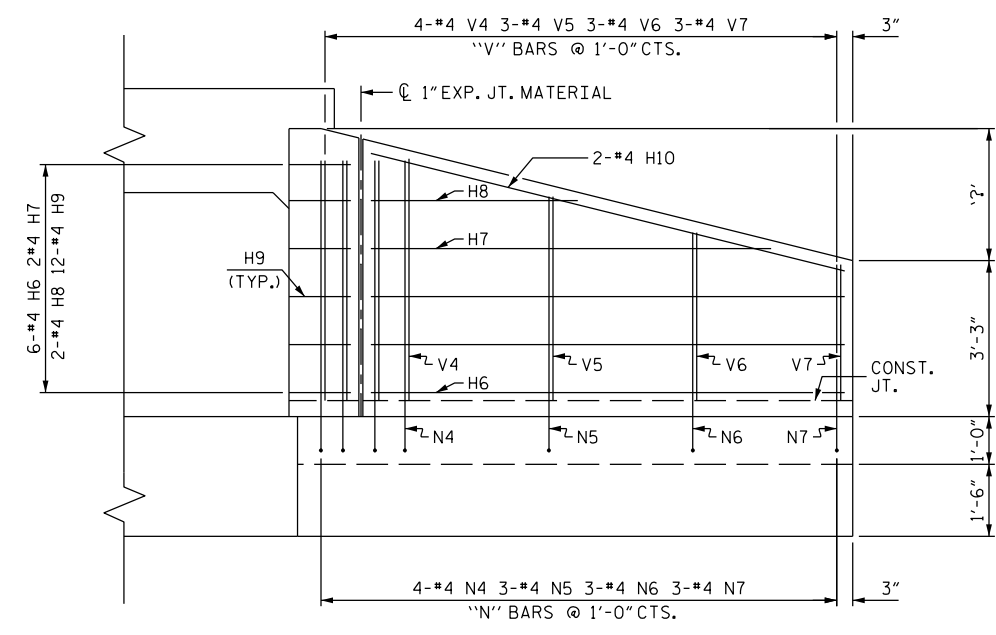
Z1	6	#4	4	4'-2"	17
Z2	6	#4	4	3'-4"	13
Z3	4	#4	4	2'-10"	8
Z4	8	#4	4	4'-4"	23
Z5	6	#4	4	4'-0"	16
Z6	6	#4	4	3'-4"	13
Z7	6	#4	4	2'-10"	11

REINFORCING STEEL FOR 4 WINGS 807 LBS

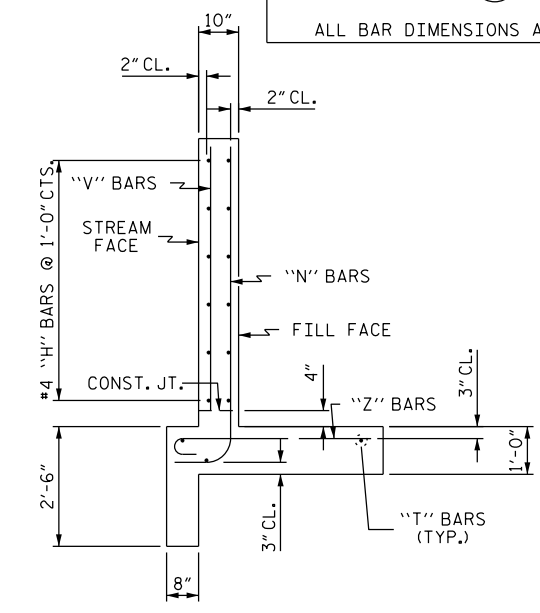
CLASS A CONCRETE
 4 WINGS 12.2 CY
 2 HEADWALLS CY
 2 END CURTAIN WALLS CY
 TOTAL CY



ELEVATION W2



ELEVATION W1



TYPICAL WING SECTION

PROJECT NO. _____

_____ COUNTY

STATION: _____

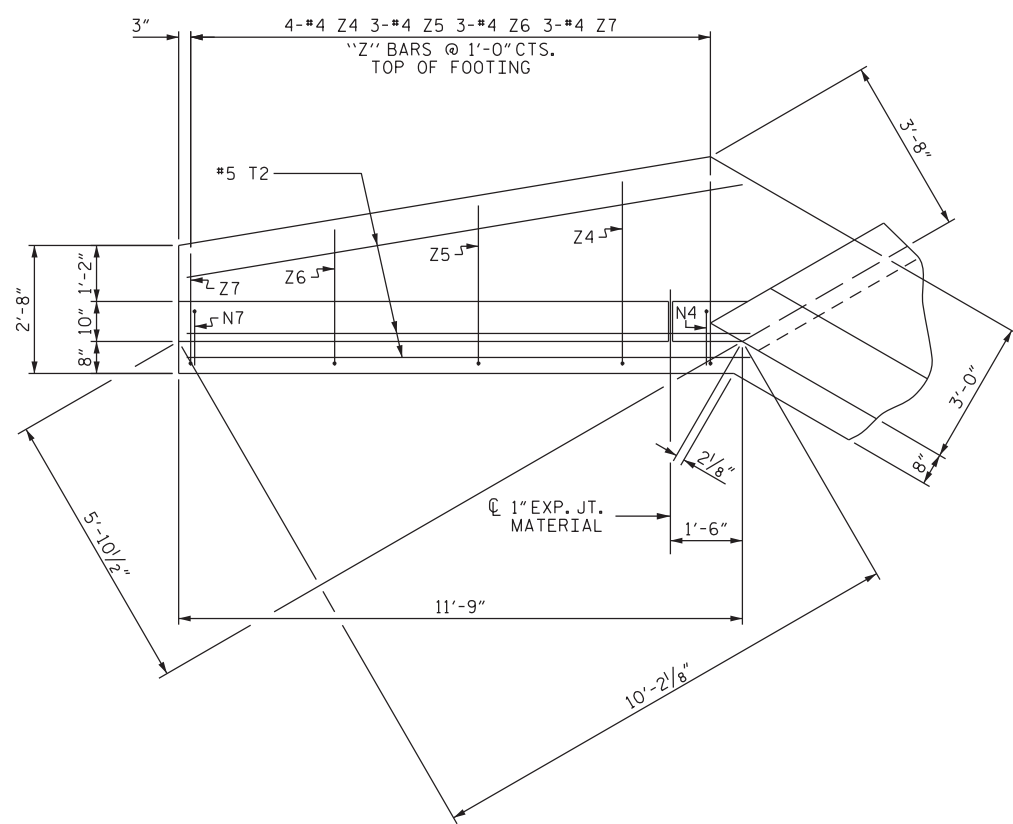
SHEET _____ OF _____

STATE OF NORTH CAROLINA
 DEPARTMENT OF TRANSPORTATION
 RALEIGH
 STANDARD WINGS
 FOR
 CONCRETE BOX CULVERT
 H = 5'-0" SLOPE = 2:1
 60° SKEW

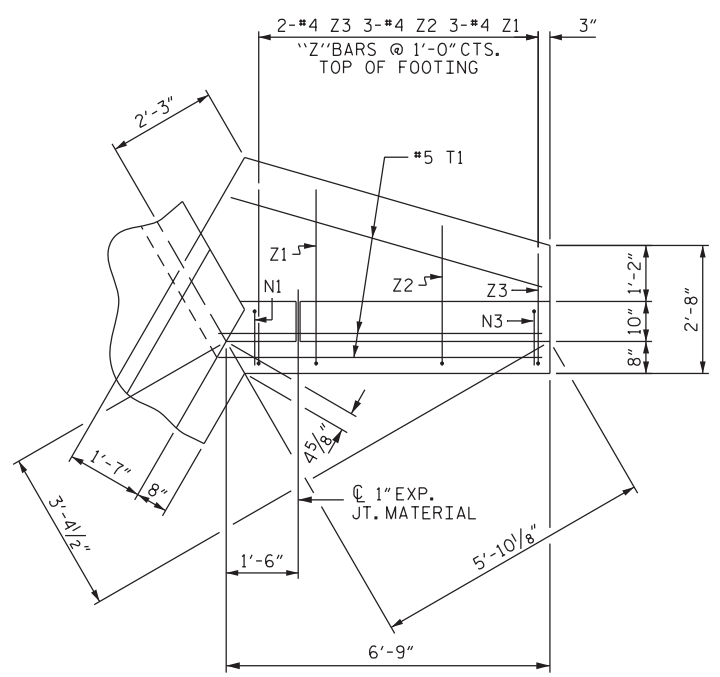
ASSEMBLED BY : -	DATE : -
CHECKED BY : -	DATE : -
DRAWN BY : CCJ 11/99	REV. 6/19 MAA/THC
CHECKED BY : RWW 03/00	

DOCUMENT NOT CONSIDERED FINAL UNLESS ALL SIGNATURES COMPLETED

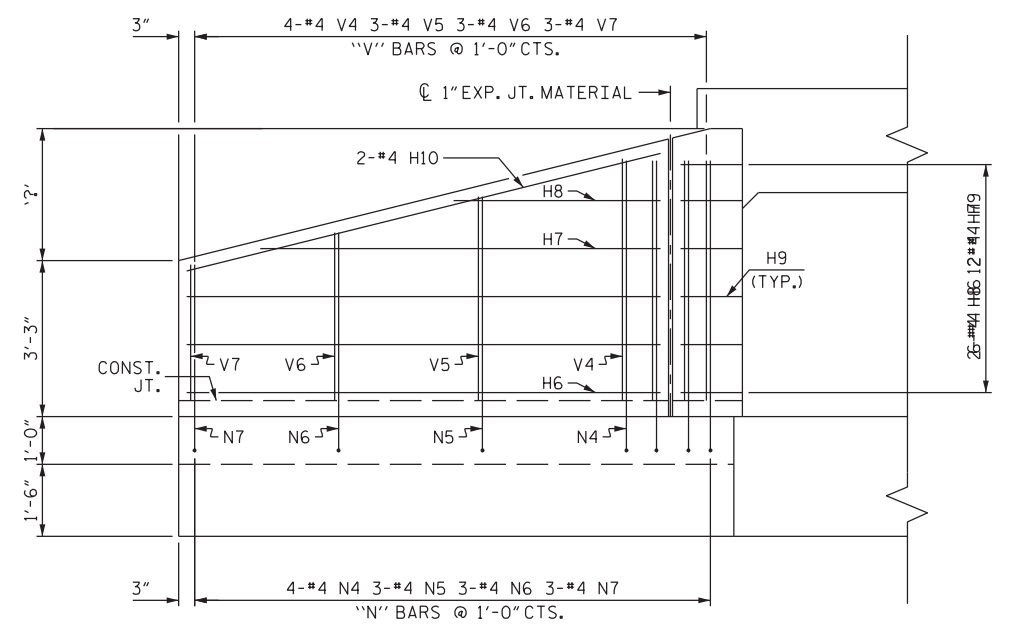
REVISIONS						SHEET NO.
NO.	BY:	DATE:	NO.	BY:	DATE:	TOTAL SHEETS
1			3			
2			4			



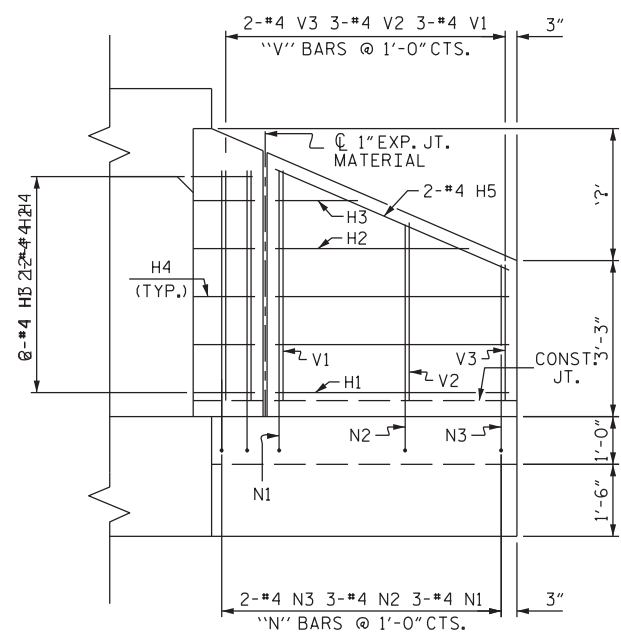
PLAN W1



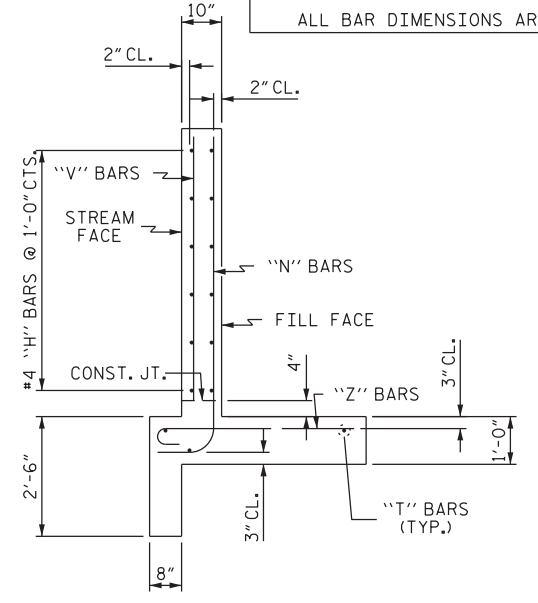
PLAN W2



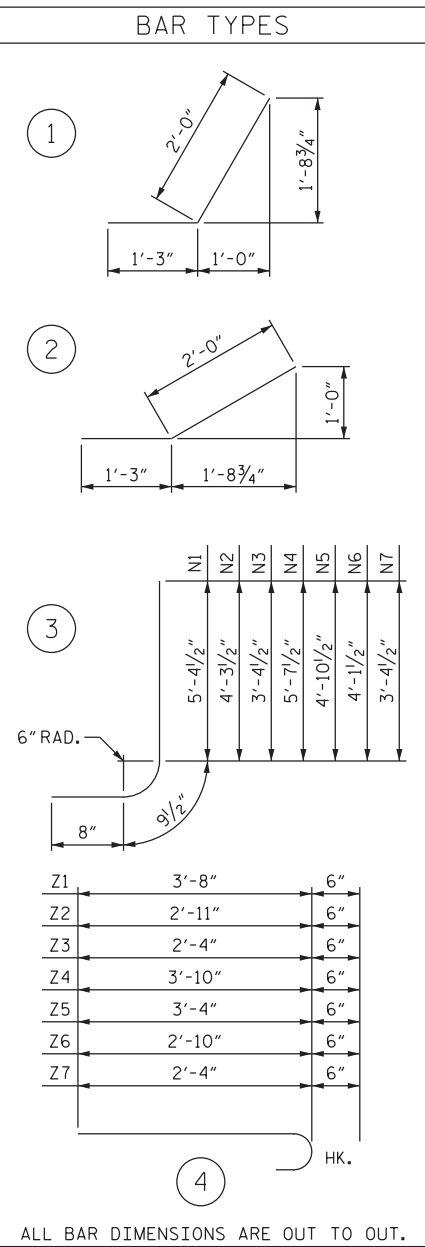
ELEVATION W1



ELEVATION W2



TYPICAL WING SECTION



ALL BAR DIMENSIONS ARE OUT TO OUT.

BILL OF MATERIAL					
BAR	NO.	SIZE	TYPE	LENGTH	WEIGHT
H1	12	#4	STR	4'-10"	39
H2	4	#4	STR	4'-0"	11
H3	4	#4	STR	1'-9"	5
H4	24	#4	1	3'-3"	52
H5	4	#4	STR	5'-3"	14
H6	12	#4	STR	9'-10"	79
H7	4	#4	STR	8'-4"	22
H8	4	#4	STR	4'-3"	11
H9	24	#4	2	3'-3"	52
H10	4	#4	STR	10'-2"	27

N1	6	#4	3	6'-10"	27
N2	6	#4	3	5'-9"	23
N3	4	#4	3	4'-10"	13
N4	8	#4	3	7'-1"	38
N5	6	#4	3	6'-4"	25
N6	6	#4	3	5'-7"	22
N7	6	#4	3	4'-10"	19

T1	6	#5	STR	6'-9"	42
T2	6	#5	STR	11'-9"	74

V1	6	#4	STR	4'-9"	19
V2	6	#4	STR	3'-8"	15
V3	4	#4	STR	2'-10"	8
V4	8	#4	STR	5'-0"	27
V5	6	#4	STR	4'-3"	17
V6	6	#4	STR	3'-6"	14
V7	6	#4	STR	2'-10"	11

Z1	6	#4	4	4'-2"	17
Z2	6	#4	4	3'-4"	13
Z3	4	#4	4	2'-10"	8
Z4	8	#4	4	4'-4"	23
Z5	6	#4	4	4'-0"	16
Z6	6	#4	4	3'-4"	13
Z7	6	#4	4	2'-10"	11

REINFORCING STEEL FOR 4 WINGS				807	LBS
CLASS A CONCRETE					
4 WINGS				12.2	CY
2 HEADWALLS					CY
2 END CURTAIN WALLS					CY
TOTAL					CY

ASSEMBLED BY : - DATE : -
 CHECKED BY : - DATE : -
 DRAWN BY : CCJ 11/99 REV. 6/19 MAA/THC
 CHECKED BY : RWW 03/00

DOCUMENT NOT CONSIDERED FINAL UNLESS ALL SIGNATURES COMPLETED

PROJECT NO. _____ COUNTY _____
 STATION: _____
 SHEET _ OF _
 STATE OF NORTH CAROLINA
 DEPARTMENT OF TRANSPORTATION
 RALEIGH
 STANDARD WINGS
 FOR
 CONCRETE BOX CULVERT
 H = 5'-0" SLOPE = 2:1
 120° SKEW

REVISIONS						SHEET NO.
NO.	BY:	DATE:	NO.	BY:	DATE:	TOTAL SHEETS
1			3			
2			4			